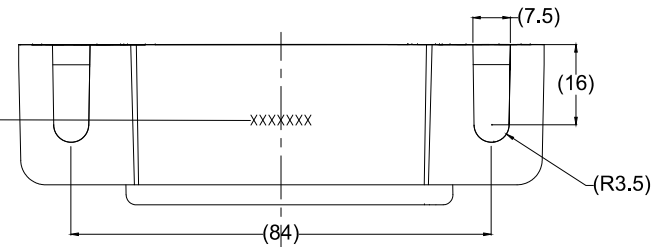
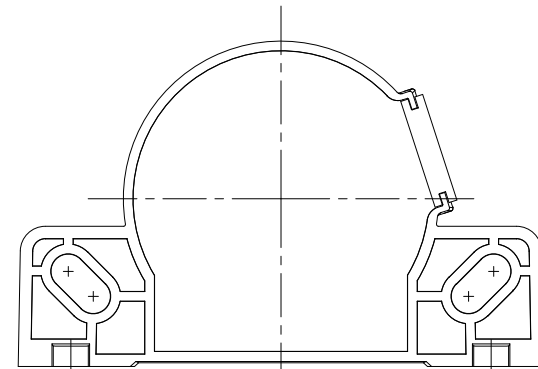
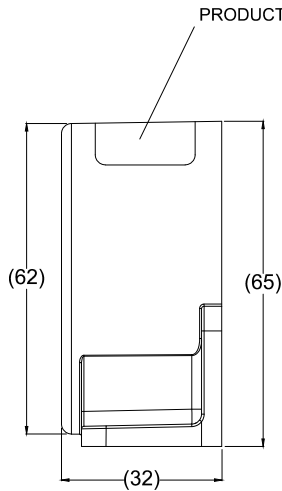
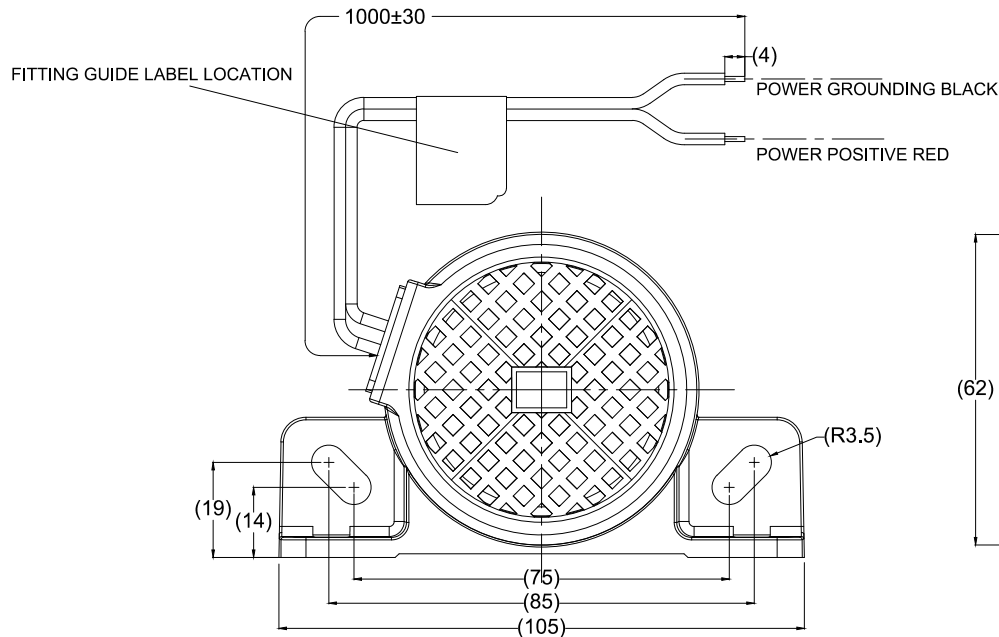
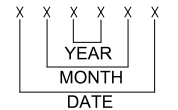


Revision Notes:				
R1 -				
APA:	Drawn:	Checked:	Approved:	Date:



PRODUCTION LOT NO.



xxxxxxx

E= EUROPE

U= USA

A= AUSTRALIA

SPECIFICATION:

1. RATED VOLTAGE: 12 AND 24 VOLT DIRECT CURRENT (WORKING VOLTAGE RANGE 9~32 VOLTS)
2. RATED CURRENT: 0.2 AMPERES OR LESS.
3. SOUND PRESSURE: 82±4 DECIBELS AT TEST VOLTAGE OF 14 AND 28 VOLTS (AS MEASURED AT DISTANCE OF 1.2M AND AT HEIGHT OF 1.2M ABOVE THE GROUND)
4. INTERMITTENCE: 80±10 CYCLES PER MINUTE AT TEST VOLTAGE OF 14 AND 28 VOLTS.
5. TONE: WHITE SOUND(BBS).
6. ENVIRONMENTAL: SUBJECT TO SAE J994.

NOTES:

1. "R TRIANGLE" INDICATES CHANGES MADE TO REVISION OF DRAWING AS INDICATED IN REVISION NOTES.
2. FOR PACKAGING & LABELLING DETAIL REFER TO THE LATEST REVISION OF THE MASTER BOM AND DRAWINGS.

PROPRIETARY NOTICE

THIS DESIGN AND TECHNICAL INFORMATION APPEARING ON THIS DRAWING IS THE PROPERTY OF BRIGADE ELECTRONICS, AND IS DISCLOSED IN CONFIDENCE. IT IS NOT TO BE COPIED, REPRODUCED, REVEALED TO OR EXPROPRIATED BY OTHERS, EITHER IN WHOLE OR IN PART WITHOUT THE EXPRESS WRITTEN CONSENT OF BRIGADE ELECTRONICS.

BRIGADE[®]
www.brigade-electronics.com

Assembly Pl Approval W. FUKUZAWA	Approved by A. KEBEDE	Checked by E. MATHEW	Drawn by J. YU
Angle of Projection 	Units mm	Scale N/A	Released 17/03/2025
Status RELEASED	Assembly Ref BBS-82		
Part No 0896C	BE-005014-00-25		